

1/4 (6.4mm) Electric Riveter INSTRUCTION MANUAL

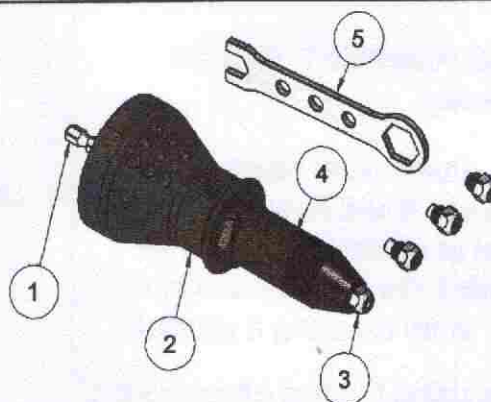


Technical Data

Dimensions	310L x 170H x 70W mm
Net Weight	1.75Kg= 3.85 lbs
Traction Power:	1650lbs = 750kgs
Total Stroke:	30mm
Speedy:	Finishing a set within 3 seconds
Patented in :	Taiwan/Germany/China/Japan /U.S.A.
	Quick-Change NosePiece.

Assembling and Using Before first Use

1. Please read all safety instructions!
2. Remove the unit and the accessory out of the packaging.
3. Keep packaging materials out of reach of children.
4. There is risk of suffocation.



1	Hex Shank	1/4 (6.35 mm)
2	Housing	PA+GF
3	Nosepiece	3.2, 4.0, 4.8, 6.4mm
4	Sight Window	Blind Rivet Loading
5	Wrench	1PC

Safety Note

*Please note the following safety notes to avoid malfunctions, damage or physical injury

*Please observe all safety notes of the used Nut Attachment

*Always switch off the driving tool and pull the power plug before maintaining the Nut attachment, e.g. changing the nosepieces or when not in use.

*Only use the Nut Attachment as indicated in this manual for setting blind Nuts. The Nut Attachment is designed for continuous, professional use.

*Always secure the work piece.

*Do not wear loose, clothing or jewellery. Tie up hair or clothing cannot get into moving parts.

*Persons with limited physical, sensorial or mental abilities are not allowed to use the tool, unless they are supervised for their safety by a qualified person or are briefed by the responsible person how to use the Nut Attachment .

*Only use the Nut Attachment with the included nosepieces.

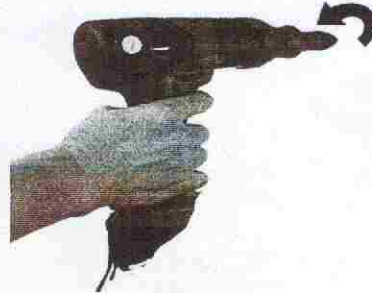
*Should the Nut Attachment become damaged do not use it and have it repaired by a professional or contact our customer support department. Do not disassemble the Nut Attachment or try repairing it yourself.

*Do not continue using the Nut Attachment if it was damaged or the Nut Attachment was dropped down. Please contact our customer support service.

Operation instructions

1. Secure the work piece. Drill the holes into the work piece.

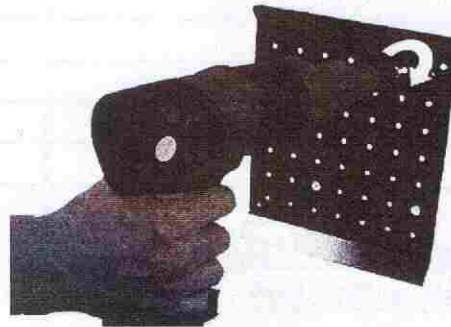
The diameter of the holes has to match the diameter of the blind rivets. Start the tool with left-hand rotation.



2. Insert a blind rivet into the nosepiece.



3. Set the blind rivet by right-hand rotation

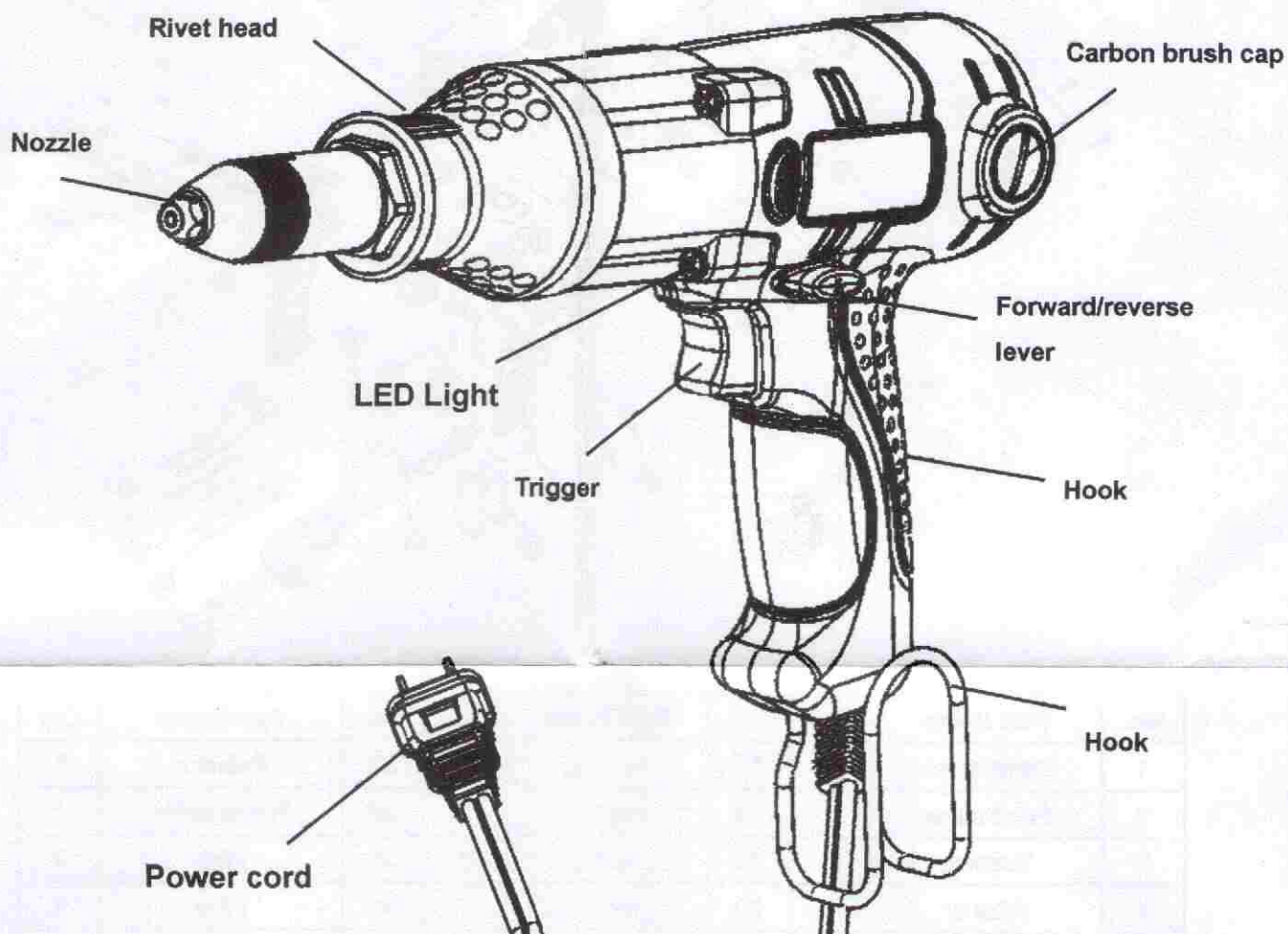


4. Left-hand rotation to expel the spent rivet mandrel.



1/4 (6.4mm) Electric Riveter

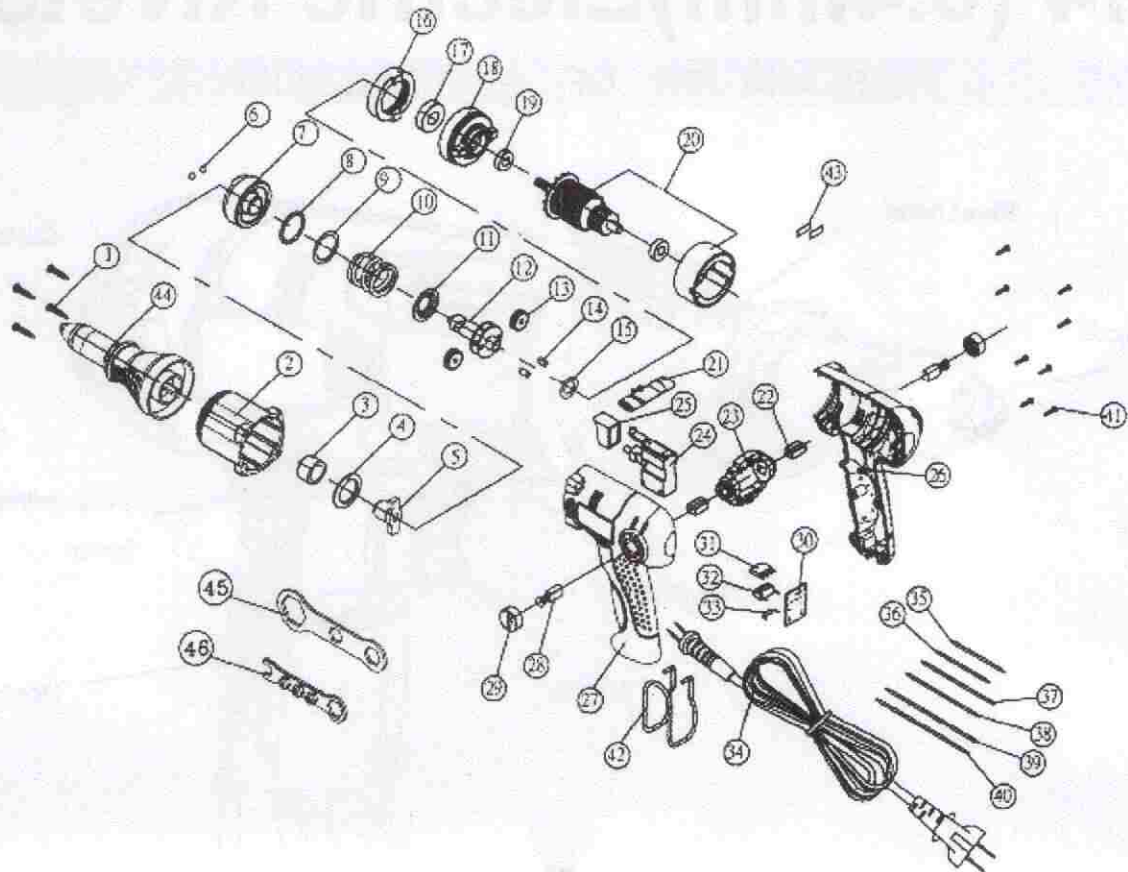
EXPLANATION OF GENERAL VIEW



SPECIFICATION

Traction Power	1650lbs = 750kgs
Insulation	Double insulation
Un-load rpm	0~2397
Rivet Spec.	3.2 (1/8") 4.0 (5/23") 4.8 (3/16") 6.4 (1/4")
Dimension	310mm*170mm*70mm
Weight (w/ cord)	1750g
Watt	2.5A(250W)

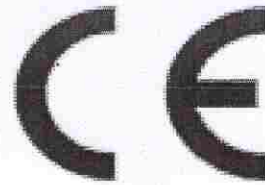
STRUCTURE CHART



No.	Part Name	Qty	No.	Part Name	Qty	No.	Part Name	Qty
1	Cross screw	4	17	Bearing	1	33	Resistor	1
2	Front cover	1	18	Gear box	1	34	Power cable	1
3	Bushing	1	19	Bearing	2	35	Wire	1
4	Washer	1	20	Motor	1	36	Wire	1
5	Shaft	1	21	Forward/Reverse lever	1	37	Wire	1
6	Steel ball	2	22	Carbon sleeve	2	38	Wire	1
7	Hammer	1	23	Carbon base	1	39	Wire	1
8	Steel ball	28	24	Switch	1	40	Wire	1
9	Washer	1	25	Switch button	1	41	Cross screw	8
10	Spring	1	26	Housing (Bottom)	1	42	Hook	1
11	Spring seat	1	27	Housing (Top)	1	43	Sponge	2
12	Shaft	1	28	Carbon brush	2	44	1/4 Rivet attachment	1
13	Planet gear	2	29	Carbon cap	2	45	head wrench	1
14	Bearing	2	30	PCB	1	46	Nozzles wrench	1
15	Washer	1	31	Bridge rectifier	1			
16	Gear ring	1	32	Capacitor	1			

AIRPRO INDUSTRY CORP.

EC DECLARATION OF CONFORMITY



We declare that this product is in conformity with the
Requirements of the Council Directive of June 1989
Relating to Machinery :

89/392/EEC, 91/368/EEC ,93/44/EEC,2006/42/EC

National Standard Applied: ISO 8862-1 for Vibration Level
Pneurop 8N-1 for Noise Level

PRODUCT DESCRIPTION: AIR TOOL

Model Number: CRG230V1

Signature of Issuer

Vincent Wu of QA DEPT

Place and Date of issue

AIRPRO INDUSTRY CORP.

2F-3, 158, Kancheng Rd., Pachtiao City, Taipei Hsien, Taiwan R.o.c. Jan. 01, 2010

Read & Understand these instructions before using tool

Read and obey all warning notices

Air Supply Requirements

- 1. Supply tool with 6.2 bar (90 psi) of clean,dry air .
Higher pressure drastically reduces tool life.**
- 2. Connect tool to air line using pipe ,hose and fittings
with air filter ,regulator,lubricator**

Lubrication :

**Use an air line lubricator with SAE#10 oil,adjusted to
Two drops per minute.If an air line lubricator can
not be used ,add air motor oil to the inlet once a day.**

Maintenance:

Disassemble and inspect air motor and governor assembly

Every three months if the tool is used ever day.Replace

Damaged or worm parts

Special Instructions

Please read this information carefully before operating the machine

Incorrect operation/use may lead injuries and /or damage .